

## Communications & Power Industries Magnetron



### FEATURES:

- Frequency 3.1 - 3.25 GHz
- Peak power output 800 kW
- Duty cycle .0005
- Anode voltage 29 kV
- Anode current 70 amps
- Pulse width 2.5 microseconds max
- Heater 16 volts @ 3.1 amps
- Air cooled
- Mechanically tunable
- Permanent system magnet

### BENEFITS:

- Compact shape
- Low cost

### APPLICATIONS:

- Air traffic control radars
- Weather radars

# CPI S-Band 800 kW Magnetron: VMS2039

## Electrical Specifications

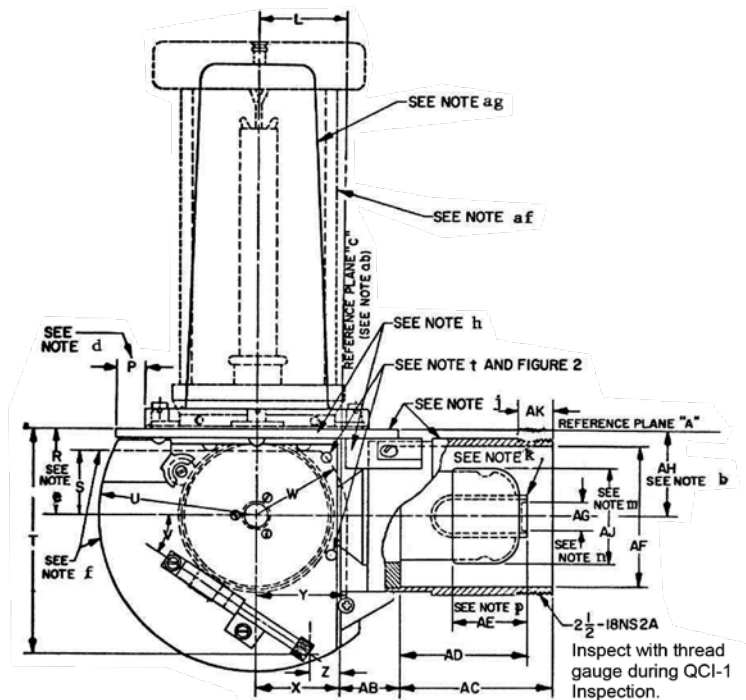
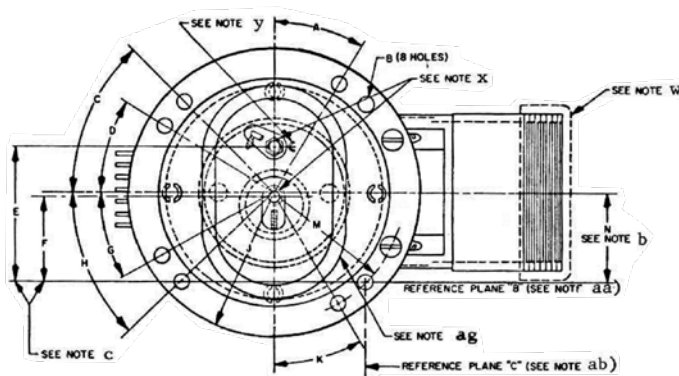
Frequency	3.1 – 3.25 GHz
Peak Power Output	800 kW
Average Power Output	0.4 kW
Pulse Voltage	26.5 – 31.5 kV
Peak Anode Current	70 A
Average Anode Current	35 mA
Maximum Pulse Width	2.5 $\mu$ S
Duty Cycle	0.0005
Maximum Filament Voltage	17.6 V
Maximum Filament Current	3.4 A
Minimum Warm-Up Time	300 S
Maximum Load VSWR	1.15

## Mechanical and Environmental Specifications

Cooling	Forced air
Maximum Body Temperature	100°C
Mounting Position	Any
Support	Mounting plate or guard plate
Tuning	3 turns

With a history of producing high quality products, we can help your with magnetron.

Contact us at [BMDMarketing@cpii.com](mailto:BMDMarketing@cpii.com) or call us at +1 978-922-6000.



**Beverly Microwave Division**  
150 Sohler Road  
Beverly, Massachusetts  
USA 01915

tel +1 978-922-6000  
email [BMDMarketing@cpii.com](mailto:BMDMarketing@cpii.com)  
fax +1 978-922-8914  
web [www.cpii.com](http://www.cpii.com)

For more detailed information, please refer to the corresponding CPI technical description if one has been published, or contact CPI. Specifications may change without notice as a result of additional data or product refinement. Please contact CPI before using this information for system design.

©2020 Communications & Power Industries LLC. Company proprietary; use and reproduction is strictly prohibited without written authorization from CPI.